

# SEQUOIA LIGHTING

C O R P O R A T I O N

MANUFACTURERS OF QUALITY ROADWAY PRODUCTS

13644 George Blvd, Suite 1

(760) 246-5213

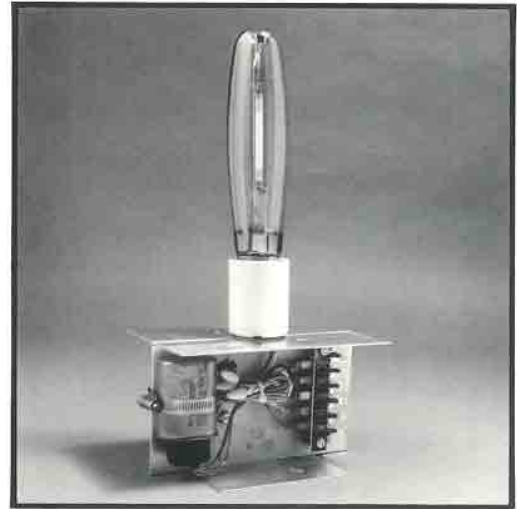
Victorville, CA, 92394

Fax: (760) 246-5294

## SOFFIT LUMINAIRE BALLAST KIT ASSEMBLY

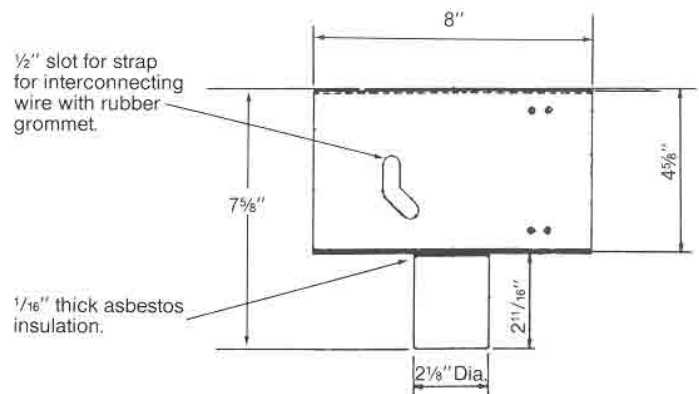
### FEATURES:

- Meets the 1992 California Department of Transportation requirements for retrofitting existing flush soffit fixtures.
- The soffit ballast retrofit kit is equipped with slotted holes in the base for easy installation and maintenance.
- The heavy cadmium plated mounting bracket is capable of withstanding the harsh outdoor environments found in roadway installations.
- The extra large labeled terminal block makes for quick and easy field wiring of the ballast kit.
- The high power factor core and coil ballast provides the highest efficiency available, producing more light output per watt than other less expensive products.
- Heavy duty porcelain socket with corrosion-proof nickel plated shell and contacts assure a positive electrical contact with the lamp.



**SOFFIT BALLAST KIT**  
\*CALTRANS APPROVED

### MECHANICAL DATA



**FRONT VIEW**

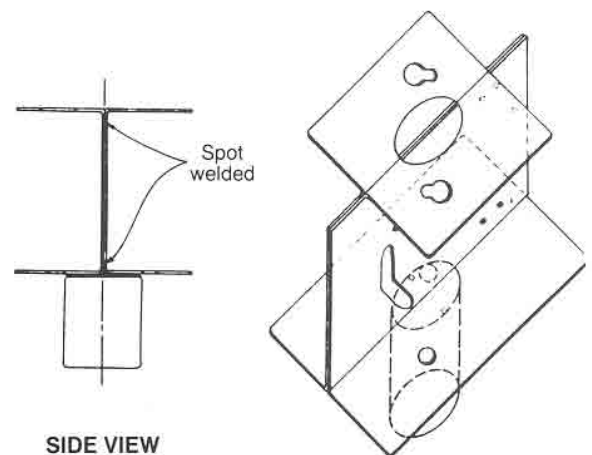
### ORDERING INFORMATION

CATALOG #	LAMP WATTAGE	LAMP	VOLTAGE
70-S-MLT	70	HPS	MULTI-TAP
100-S-MLT	100	HPS	MULTI-TAP
150-S-MLT	150	HPS	MULTI-TAP

\*ALL HPS BALLAST ARE QUAD TAP (120/208/240/277)

\*ALSO AVAILABLE IN 480 VOLT

\*CUSTOM DESIGN AND MANUFACTURING ASSISTANCE AVAILABLE



**SIDE VIEW**

### MOUNTING BRACKET DETAILS

Note: Pre-form two sheets 1/16" mild steel as shown, spotwelded together in each corner with four spotwelds.