

SEQUOIA LIGHTING

C O R P O R A T I O N

MANUFACTURERS OF QUALITY ROADWAY PRODUCTS

13644 George Blvd, Suite 1

(760) 246-5213

Victorville, CA, 92394

Fax: (760) 246-5294

SOFFIT LUMINAIRE REMOTE BALLAST-JUNCTION BOX™

FEATURES:

- Meets the 1992 California Department of Transportation requirements for remote locating of Soffit fixture ballast components.
- To simplify maintenance, the Ballast Tray™ has (2) stainless steel push button quick release pins and electrical connectors, allowing removal and replacement of the ballast in seconds.
- The patent pending Ballast-Junction Box™ is constructed of heavy gauge sheet steel with fully welded seams to provide a weatherproof seal. It is hot dip galvanized after fabrication to provide maximum protection against the harshest of environments.
- The fully gasketed door is recessed into the housing providing a ½" drip shield. The solid 12 gauge door is secured to the housing with a full length stainless steel piano hinge and 3 captive brass screws.
- The extra large wiring compartment with (3) 2" threaded hubs and removable Ballast Tray™ provides plenty of room for wire pulling and making up connections.

ORDERING INFORMATION

BALLAST-JUNCTION BOX™ WITH SOFFIT LUMINAIRE

CATALOG #	SERIES	WATTAGE	LAMPS	VOLTAGE
2003-70-S-MLT-G	2003	70	HPS	MULTI-TAP
2003-100-S-MLT-G	2003	100	HPS	MULTI-TAP
2003-150-S-MLT-G	2003	150	HPS	MULTI-TAP
2003-400-MH-MLT-G	2003	400	METAL HALIDE	MULTI-TAP

*ALL HPS BALLAST ARE QUAD TAP (120/208/240/277)

IF 480 VOLT IS REQUIRED PLACE AN X BEFORE THE CATALOG NUMBER

*ALSO AVAILABLE WITH LEXAN LENS

*CUSTOM DESIGN AND MANUFACTURING ASSISTANCE AVAILABLE

BALLAST TRAY™

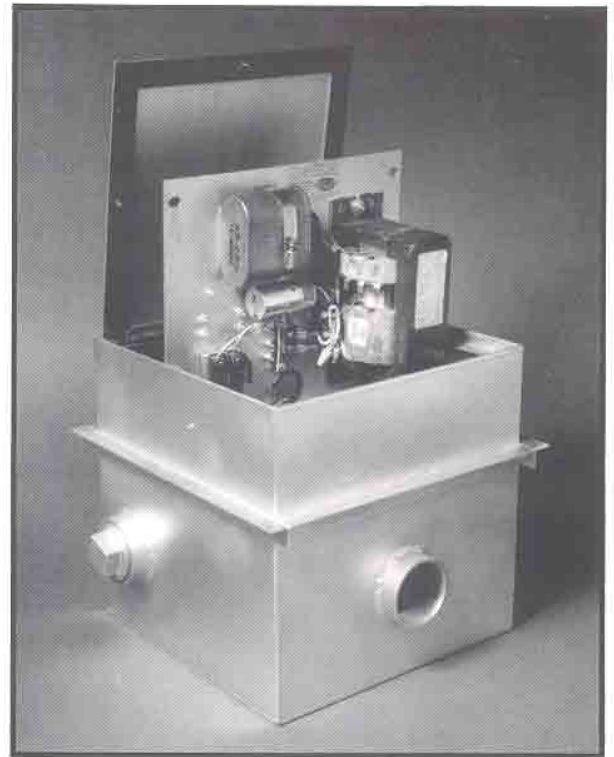
CATALOG #	SERIES	WATTAGE	LAMPS	VOLTAGE
BJBSP-70-S-MLT	2003	70	HPS	MULTI-TAP
BJBSP-100-S-MLT	2003	100	HPS	MULTI-TAP
BJBSP-150-S-MLT	2003	150	HPS	MULTI-TAP
BJBSP-400-MH-MLT	2003	400	METAL HALIDE	MULTI-TAP

*ALL HPS BALLAST ARE QUAD TAP (120/208/240/277)

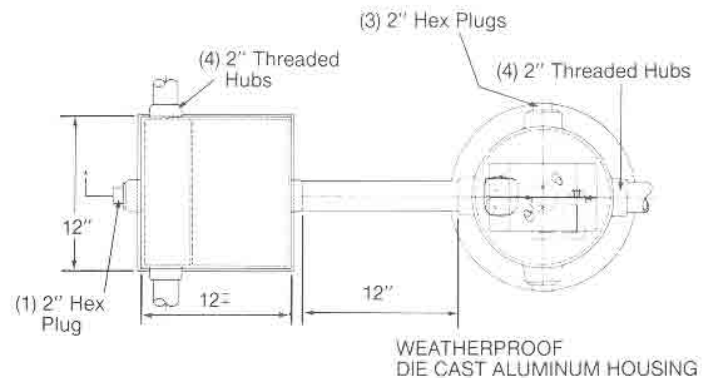
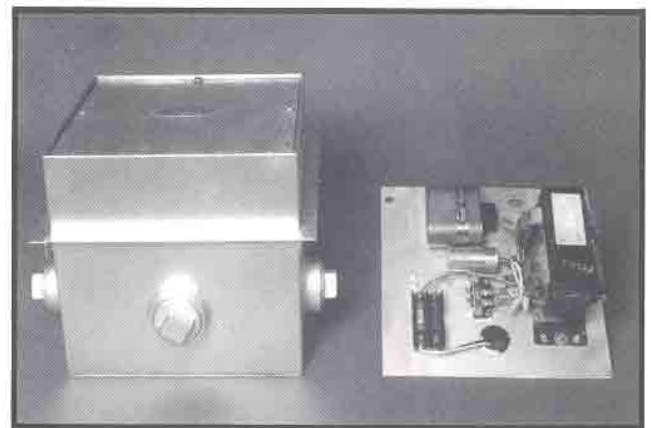
IF 480 VOLT IS REQUIRED PLACE AN X BEFORE THE CATALOG NUMBER

This document contains proprietary information of the Sequoia Lighting Corp. and is transmitted in confidence. Any reproduction, disclosure, or use of this document is expressly prohibited except as Sequoia Lighting Corp. may otherwise agree in writing.

COPYRIGHT 1993 © SEQUOIA LIGHTING CORPORATION.



REMOTE BALLAST-JUNCTION BOX™



TOP VIEW