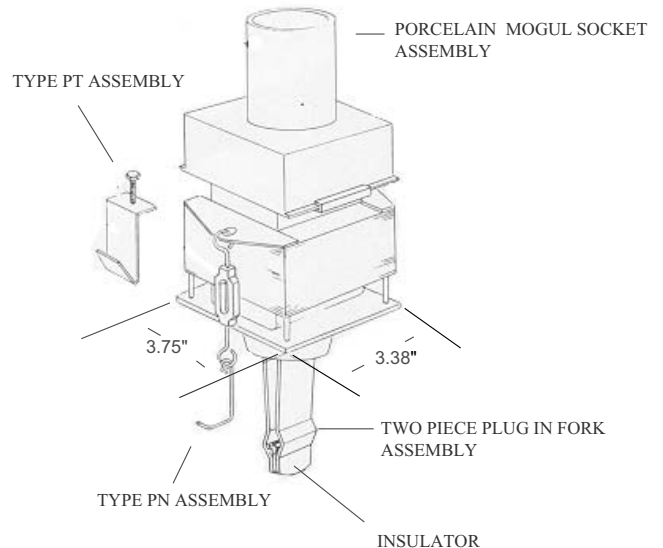




PLUG-IN TYPE



SPECIFICATIONS

Ballast Name: Post top plug-in type

Description: Post top or pendant type conversion kit from 6.6 amp to low voltage. Ballast kit is completely wired and assembled with porcelain socket. Ballast kit plugs into existing incandescent 6.6 amp series socket which converts the system to H.I.D.

Bracket Material: Steel Pre-Galvanized

Ballast Type: Conversion from 6.6 amp to low voltage (600 volts and below)

Wattage/Lamping:

- Mercury Vapor (100, 175 or 250 watt)
- High Pressure Sodium (70, 100, 150, 200 or 250 watt)
- Metal Halide (100, 175, 250 watts)
- Incandescent

Distribution: Symmetric or Asymmetric

Voltage: 120, 208, 240, 277 or 480 volt

Options: House side shield / Photo control / Internal glass refractor

Dimensions: All dimensions are nominal

Photometry: Available upon request on I.E.S. formatted disk

Warranty: Fixture shall be warranted to be free of defects for two years. Ballast components shall carry the ballast manufacturer's limited warranty

FINISH

Finish: All hardware is plated and all brackets are fabricated from pre-galvanized material

APPLICATIONS

- Parking Lots
- Perimeter Ltg.
- Transportation Terminals
- Office Complexes
- School Campus
- Shopping Malls
- Hotels/Motels
- Industrial Sites
- Commercial Developments
- Waterfront Areas
- Parks/Recreational Areas
- Architectural Landscape Ltg.

SEQUOIA LIGHTING

CORPORATION

MANUFACTURERS OF QUALITY LIGHTING PRODUCTS

LUMINAIRE

SEQUOIA LIGHTING SYSTEMS

6.6 AMP PLUG-IN KITDESIGN
UKS**POST TOP KIT 6.6 AMP**

50 WATTS HPS	UKS-PT-A66-50	PLUG-IN TYPE
70 WATTS HPS	UKS-PT-A66-70	PLUG-IN TYPE
100 WATTS HPS	UKS-PT-A66-100	PLUG IN TYPE
150 WATTS	UKS-PT-A66-150	PLUG-IN TYPE

PENDANT KIT 6.6 AMP

50 WATT HPS	UKS-PN-A66-50	PLUG-IN TYPE
70 WATT HPS	UKS-PN-A66-70	PLUG-IN TYPE
100 WATT HPS	UKS-PN-A66-100	PLUG-IN TYPE

SOFFIT 6.6 AMP

50 WATT HPS	UKS-S-A66-50	DIRECT WIRE TYPE
70 WATT HPS	UKS-S-A66-70	DIRECT WIRE TYPE
100 WATT HPS	UKS-S-A66-100	DIRECT WIRE TYPE

LOW LOAD STARTER OPTION

35-150 WATT HPS LOW LOAD STARTER	<u>X</u>	ADD SUFFIX <u>X</u> TO CATALOG NUMBER
200-400 WATT HPS LOW LOAD STARTER	<u>X</u>	ADD SUFFIX <u>X</u> TO CATALOG NUMBER

SEQUOIA LIGHTING

CORPORATION

MANUFACTURERS OF QUALITY LIGHTING PRODUCTS

13644 George Blvd, Suite 1, Victorville, CA, 92394 (760) 246-5213 FAX (760) 246-5294 www.sequoialighting.com