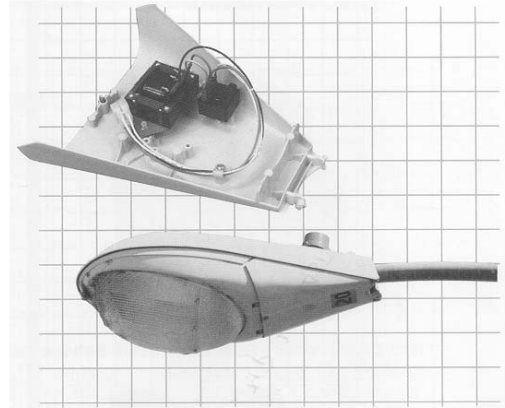
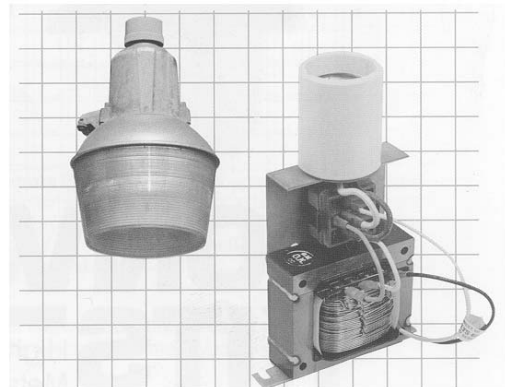




DECORATIVE LUMINAIRES



COBRA HEADS



NEMA HEADS

SPECIFICATIONS

Conversion kits are available for all sizes on High Pressure Sodium, Mercury Vapor, Metal Halide, Low Pressure Sodium and QL Induction lamps. All primary voltages are available for these lamps including 6.6 amp street lighting circuits. All kits allow you to use existing luminaires without having to purchase expensive new fixtures. By upgrading to a more efficient H.I.D lighting source, you can take advantage of the increased lumens per watt, longer lamp life, reduced maintenance and energy costs. Conversion kits are completely assembled allowing for quick and easy field installation.

*If required base is not shown please consult factory.

FINISH

The conversions kits shown here are among the most popular offered by Sequoia Lighting Corporation. These examples only represent a type of fixture and a typical kit that is designed to replace or upgrade the original ballast equipment in these fixtures. When one of our standard kits will not meet your specifications, a custom designed kit will be engineered and manufactured to meet your specific requirements.

SEQUOIA LIGHTING

CORPORATION

MANUFACTURERS OF QUALITY LIGHTING PRODUCTS

13644 George Blvd, Suite 1, Victorville, CA, 92394 (760) 246-5213 FAX (760) 246-5294 www.sequoialighting.com