

## SPECIFICATIONS

**Luminaire Name:** Dana

**Description:** Nostalgia style bollard fixture complete with integral ballast assembly

**Material:** Cast Aluminum

**Lens/Panels:** Acrylic / Polycarbonate UV stabilized / Glass

**Wattage/Lamping:**

- High Pressure Sodium (35,50,70, 100 watt)
- Metal Halide (70,100 watt)
- QL Induction (55, 85 watt)
- Incandescent

**Distribution:** Dana Series Bollards accent fine architecture with pleasing illumination and style for walkways, courtyards, malls and landscape areas.

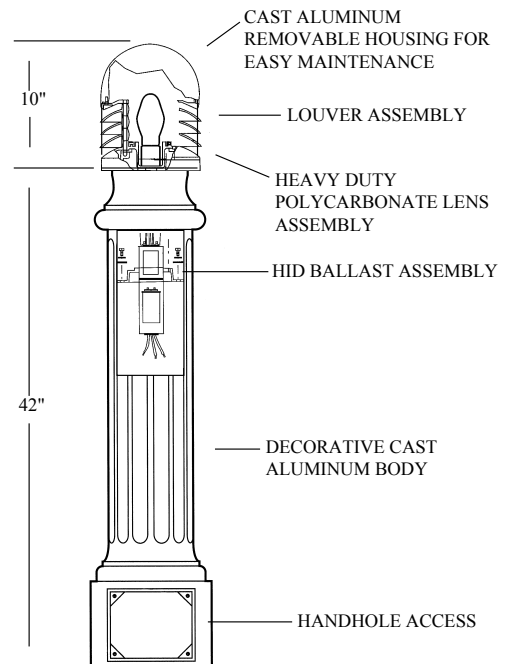
**Voltage:** 120, 208, 240, 277 or 480 volt

**Options:** Photo control

**Dimensions:** All dimensions are nominal

**Photometry:** Available upon request on I.E.S. formatted disk

**Warranty:** Fixture shall be warranted to be free of defects for two years. Ballast components shall carry the ballast manufacturer's limited warranty



## FINISH

**Three Stage:**

- Cleaned and Etched
- Primered
- Powder coated or wet painted

**Colors:** Black, bronze, green, gray, swedish iron, verde patina

\* Custom colors and finishes available

## APPLICATIONS

- Housing Developments
- Condominium / Townhouse Complex
- Perimeter Ltg.
- Transportation Terminals
- Office Complexes
- School Campus
- Shopping Malls
- Hotels/Motels
- Industrial Sites
- Commercial Developments
- Waterfront Areas
- Parks/Recreational Areas
- Architectural Landscape Ltg.

# LUMINAIRE

SEQUOIA LIGHTING SYSTEMS

# BOLLARD

## ORDERING NUMBER LOGIC

Example: LB500 -M1 -6 -0 -0 -0 -0 -5 -AC -BR -O -C -O -O -1 -O -A1

(A) (B) (C) (D) (E) (F) (G) (H) (I) (J) (K) (L) (M) (N) (O) (P) (Q)

(A) DESIGN I.D. Top Right Corner of Cutsheet

(B) BALLAST TYPE  
 High Pressure Sodium  
 20 = 120V High Power Factor (150W and below)  
 21 = 120V Regulated High Power Factor  
 22 = 120V Normal Power Factor  
 23 = 240V High Power Factor  
 24 = 240V Regulated Power Factor  
 25 = 240V Lag Norma Power Factor  
 26 = 208V Regulated Power Factor  
 27 = 277V Regulated Power Factor  
 28 = 480V Regulated Power Factor  
**M1** = Multi-volt Regulated High Power Factor  
 Wired 120V  
 H6 = 6.6 AMP

Metal Halide

30 = 120V CWA High Power Factor  
 31 = 240V CWA High Power Factor  
 32 = 208V High Power Factor  
 33 = 277V CWA High Power Factor  
 34 = Multi-volt CWA High Power Factor  
 Wired For 120V  
**M6** = 6.6 AMP

Mercury Vapor

02 = 120/240 Regulated High Power Factor  
 Wire For 120V  
 03 = 240/480 Regulated High Power Factor  
 Wire For 240V  
 04 = 208V Regulated High Power Factor  
 05 = 277V Regulated High Power Factor  
 06 = 120V Lag Auto Normal Power Factor  
 07 = Multi-volt Regulated High Power Factor  
 Wired For 120V  
 V6 = 6.6 AMP

QL Induction (Please Specify Kelvin Rating)

**Q1** = 120V  
**Q2** = 240V  
**Q6** = 6.6 AMP

Incandescent

IN = Specify Wattage

(C) LAMP WATT AGE

1 = 35 Watts  
 2 = 50 Watts  
 3 = 55 Watts  
 4 = 70 Watts  
 5 = 85 Watts  
 6 = 100 Watts

(D) PHOT OCONTROL  
 0 = Without Photo Control  
 1 = With Photo Control

(E) INTERNAL GLASS REFRACT OR  
 0 = None  
 1 = Yes

(F) DUPLEX RECEPT ACLE (IN BASE)  
 0 = None  
 1 = Yes

(G) INTERNAL REFLECT OR  
 0 = None  
 1 = Yes

(H) IES LIGHT DISTRIBUTION  
 2 = Type II  
 3 = Type III  
 5 = Type V

(I) LENS  
**GC** = Glass Clear  
**GW** = Glass White  
**PC** = Polycarbonate Clear  
**PW** = Polycarbonate White  
**AC** = Acrylic Clear  
**AW** = Acrylic White

(J) PAINT  
**BL** = Black  
**BR** = Bronze  
**VR** = Verde  
**GR** = Green  
**GY** = Gray  
**WH** = White  
**RD** = Red  
**BU** = Blue  
**CC** = Custom (Per Specification)

(K) DIRECT BURIAL  
 0 = None  
 1 = Yes

(L) LAMP OPTION  
 0 = No Lamp Included  
 C = Clear Lamp Included  
 R = Rapid Start Lamp Included  
 F = Coated Lamp Included  
 M = Master Color Lamp Included  
 P = Protected Metal Halide  
 Lamp Included  
 W = White Son HPS Lamp Included  
 Q = QL Induction Lamp Included

(M) FUSE OPTION  
 0 = No Fusing  
 1 = (1) 5 Amp Fuse  
 2 = (2) 5 Amp Fuse  
 3 = (1) 10 Amp Fuse  
 4 = (2) 10 Amp Fuse  
 5 = (1) 15 Amp Fuse  
 6 = (2) 15 Amp Fuse  
 7 = (1) 20 Amp Fuse  
 8 = (2) 20 Amp Fuse

(N) EYEBOL T  
 0 = None  
 1 = Yes

(O) CUST OM LOGO  
 0 = None  
 1 = Yes

(P) HOUSE SIDE SHIELD  
 0 = None  
 1 = Yes

(Q) ANCHOR BOL TS  
**AO** = None  
**A1** = Yes

**SEQUOIA LIGHTING**  
 CORPORATION

MANUFACTURERS OF QUALITY LIGHTING PRODUCTS

13644 George Blvd, Suite 1, Victorville, CA, 92394 (760) 246-5213 FAX (760) 246-5294 www.sequoialighting.com