

SPECIFICATIONS

Luminaire Name: Galaxy

Description: Contemporary style bollard fixture complete with integral ballast assembly

Material: Aluminum Extruded

Lens/Panels: Acrylic / Polycarbonate UV stabilized / Glass

Wattage/Lamping:

- Mercury Vapor (70,100, 175 or 250 watt)
- High Pressure Sodium (70, 100, 150, 200 or 250 watt)
- Metal Halide (70,100, 175, 250 watt)
- QL Induction (55, 85 watt)
- Incandescent

Distribution: Concealed narrow beam light source reflecting mainlight downward while providing secondary uplight for general illumination

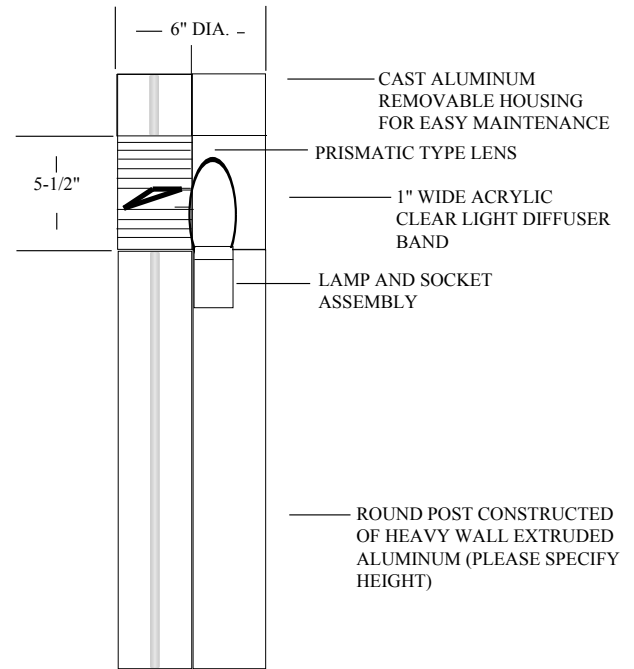
Voltage: 120, 208, 240, 277 or 480 volt

Options: Photo control

Dimensions: All dimensions are nominal

Photometry: Available upon request on I.E.S. formatted disk

Warranty: Fixture shall be warranted to be free of defects for two years. Ballast components shall carry the ballast manufacturer's



FINISH

Three Stage:

- Cleaned and Etched
- Primered
- Powder coated or wet painted

Colors: Black, bronze, green, gray, swedish iron, verde patina

* Custom colors and finishes available

APPLICATIONS

- Housing Developments
- Condominium / Townhouse Complex
- Perimeter Ltg.
- Transportation Terminals
- Office Complexes
- School Campus
- Shopping Malls
- Hotels/Motels
- Industrial Sites
- Commercial Developments
- Waterfront Areas
- Parks/Recreational Areas
- Architectural Landscape Ltg.

LUMINAIRE

SEQUOIA LIGHTING SYSTEMS

BOLLARD

ORDERING NUMBER LOGIC

Example: LB500 -M1 -6 -0 -0 -0 -0 -5 -AC -BR -O -C -O -O -1 -O -A1

(A) (B) (C) (D) (E) (F) (G) (H) (I) (J) (K) (L) (M) (N) (O) (P) (Q)

(A) DESIGN I.D. Top Right Corner of Cutsheet

(B) BALLAST TYPE
 High Pressure Sodium
 20 = 120V High Power Factor (150W and below)
 21 = 120V Regulated High Power Factor
 22 = 120V Normal Power Factor
 23 = 240V High Power Factor
 24 = 240V Regulated Power Factor
 25 = 240V Lag Norma Power Factor
 26 = 208V Regulated Power Factor
 27 = 277V Regulated Power Factor
 28 = 480V Regulated Power Factor
M1 = Multi-volt Regulated High Power Factor
 Wired 120V
 H6 = 6.6 AMP

Metal Halide

30 = 120V CWA High Power Factor
 31 = 240V CWA High Power Factor
 32 = 208V High Power Factor
 33 = 277V CWA High Power Factor
 34 = Multi-volt CWA High Power Factor
 Wired For 120V
M6 = 6.6 AMP

Mercury Vapor

02 = 120/240 Regulated High Power Factor
 Wire For 120V
 03 = 240/480 Regulated High Power Factor
 Wire For 240V
 04 = 208V Regulated High Power Factor
 05 = 277V Regulated High Power Factor
 06 = 120V Lag Auto Normal Power Factor
 07 = Multi-volt Regulated High Power Factor
 Wired For 120V
 V6 = 6.6 AMP

QL Induction (Please Specify Kelvin Rating)

Q1 = 120V
Q2 = 240V
Q6 = 6.6 AMP

Incandescent

IN = Specify Wattage

(C) LAMP WATT AGE

1 = 35 Watts
 2 = 50 Watts
 3 = 55 Watts
 4 = 70 Watts
 5 = 85 Watts
 6 = 100 Watts

(D) PHOT OCONTROL
 0 = Without Photo Control
 1 = With Photo Control

(E) INTERNAL GLASS REFRACT OR
 0 = None
 1 = Yes

(F) DUPLEX RECEPT ACLE (IN BASE)
 0 = None
 1 = Yes

(G) INTERNAL REFLECT OR
 0 = None
 1 = Yes

(H) IES LIGHT DISTRIBUTION
 2 = Type II
 3 = Type III
 5 = Type V

(I) LENS
GC = Glass Clear
GW = Glass White
PC = Polycarbonate Clear
PW = Polycarbonate White
AC = Acrylic Clear
AW = Acrylic White

(J) PAINT
BL = Black
BR = Bronze
VR = Verde
GR = Green
GY = Gray
WH = White
RD = Red
BU = Blue
CC = Custom (Per Specification)

(K) DIRECT BURIAL
 0 = None
 1 = Yes

(L) LAMP OPTION
 0 = No Lamp Included
 C = Clear Lamp Included
 R = Rapid Start Lamp Included
 F = Coated Lamp Included
 M = Master Color Lamp Included
 P = Protected Metal Halide
 Lamp Included
 W = White Son HPS Lamp Included
 Q = QL Induction Lamp Included

(M) FUSE OPTION
 0 = No Fusing
 1 = (1) 5 Amp Fuse
 2 = (2) 5 Amp Fuse
 3 = (1) 10 Amp Fuse
 4 = (2) 10 Amp Fuse
 5 = (1) 15 Amp Fuse
 6 = (2) 15 Amp Fuse
 7 = (1) 20 Amp Fuse
 8 = (2) 20 Amp Fuse

(N) EYEBOL T
 0 = None
 1 = Yes

(O) CUST OM LOGO
 0 = None
 1 = Yes

(P) HOUSE SIDE SHIELD
 0 = None
 1 = Yes

(Q) ANCHOR BOL TS
AO = None
A1 = Yes

SEQUOIA LIGHTING
 CORPORATION

MANUFACTURERS OF QUALITY LIGHTING PRODUCTS

13644 George Blvd, Suite 1, Victorville, CA, 92394 (760) 246-5213 FAX (760) 246-5294 www.sequoialighting.com