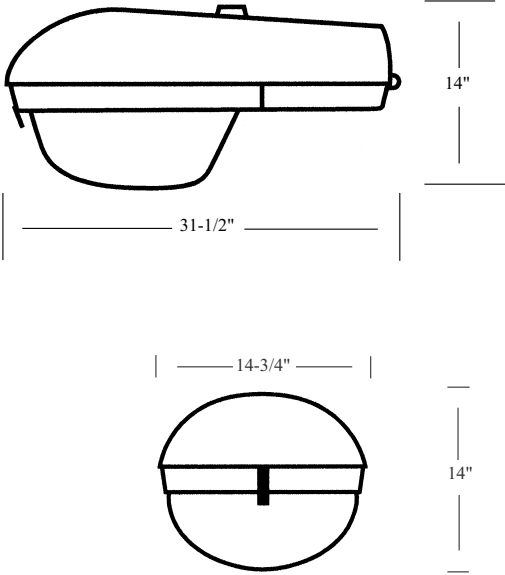


SERIES SL-325 POWER DOOR DROP LENS  
(AVAILABLE IN SERIES 6.6 AMP)



SPECIFICATIONS

**Luminaire Name:** Cobra Head Drop Lens style luminaire with power door SL-325

**Description:** One piece screw shell socket provides positive retention and damp under vibration. Die cast trigger latch, polyester gasket protects reflector and lens from contaminants. Die cast copper alloy for light weight strength, polyester powder coat finish for superior corrosion resistance, refractor or cutoff styles.

**Wattage/Lamping:**

- Mercury Vapor (175 thru 400 watt)
- High Pressure Sodium (150 thru 400 watt)
- Metal Halide (175 thru 400 watt)
- QL Induction (55, 85 watt)
- Incandescent

**Material:** Die Cast Aluminum

**Refractor:** Acrylic / Polycarbonate UV stabilized / Glass

**Distribution:** Symmetric or Asymmetric

**Voltage:** 120, 208, 240, 277, 480 volt, 6.6 AMP

**Options:** Photo Control / Fusing

**Photometry:** Available upon request on I.E.S. formatted disk

FINISH

**Housing Finish:** Polyester powder finish. electrostatically applied for superior corrosion resistance against the harsh outdoor elements

**Colors:** Gray  
\* Custom colors available

APPLICATIONS

- Roadways
- Highways/Freeways
- Residential Streets
- Parking lots/Shopping centers
- Colleges/Universities
- Storage areas

# LUMINAIRE

SEQUOIA LIGHTING SYSTEMS

# AREA

## ORDERING NUMBER LOGIC

Example: LA600 -M1 -6 -0 -3 -0 -GC -BL -0 -0 -0 -0

(A) (B) (C) (D) (E) (F) (G) (H) (I) (J) (K) (L)

(A) DESIGN I.D. Top Right Corner of Cutsheet

(B) BALLAST TYPE  
 High Pressure Sodium  
 20 = 120V High Power Factor (150W and below)  
 21 = 120V Regulated High Power Factor  
 22 = 120V Normal Power Factor  
 23 = 240V High Power Factor  
 24 = 240V Regulated Power Factor  
 25 = 240V Lag Norma Power Factor  
 26 = 208V Regulated Power Factor  
 27 = 277V Regulated Power Factor  
 28 = 480V Regulated Power Factor  
**M1** = Multi-volt Regulated High Power Factor  
 Wired 120V  
**H6** = 6.6 AMP

Metal Halide  
 30 = 120V CWA High Power Factor  
 31 = 240V CWA High Power Factor  
 32 = 208V High Power Factor  
 33 = 277V CWA High Power Factor  
 34 = Multi-volt CWA High Power Factor  
 Wired For 120V  
 M6 = 6.6 AMP

Mercury Vapor  
 02 = 120/240 Regulated High Power Factor  
 Wire For 120V  
 03 = 240/480 Regulated High Power Factor  
 Wire For 240V  
 04 = 208V Regulated High Power Factor  
 05 = 277V Regulated High Power Factor  
 06 = 120V Lag Auto Normal Power Factor  
 07 = Multi-volt Regulated High Power Factor  
 Wired For 120V  
**V6** = 6.6 AMP

**QL Induction** (Please Specify Kelvin Rating)  
**Q1** = 120V  
**Q2** = 240V  
**Q6** = 6.6 AMP

Incandescent  
**IN** = Specify Wattage

(C) LAMP WATT AGE  
 1 = 35 Watts  
 2 = 50 Watts  
 3 = 55 Watts  
 4 = 70 Watts  
 5 = 85 Watts  
 6 = 100 Watts  
 7 = 150 Watts  
 8 = 165 Watts  
 9 = 175 Watts  
 10 = 200 Watts  
 11 = 250 Watts  
 12 = 310 Watts  
 13 = 400 Watts  
 00 = 1000 Watts  
 15 = 1500 Watts

(D) PHOT OCONTROL  
 0 = Without Photo Control  
 1 = With Photo Control

(E) IES LIGHT DISTRIBUTION  
 2 = Type II  
 3 = Type III  
 5 = Type V

(F) REFRACT OR TYPE (Cobraheads)  
 O = Cutoff (Flat Lens)  
 D = Drop Lens

(G) REFRACT OR MA TERIAL  
**GC** = Glass Clear  
**GW** = Glass White  
**PC** = Polycarbonate Clear  
**PW** = Polycarbonate White (Translucent)  
**AC** = Acrylic Clear  
**AW** = Acrylic White  
**SM** = Smoked

(H) PAINT  
**00** = None  
**BL** = Black  
**BR** = Bronze  
**VR** = Verde  
**GR** = Green  
**GY** = Gray  
**WT** = White  
**RD** = Red  
**BU** = Blue  
**CC** = Custom (Per Specification)

(I) REMOTE BALLAST (ENCAP .)  
 A = None  
 B = Yes

(J) LAMP OPTION  
 0 = No Lamp Included  
 C = Clear Lamp Included  
 R = Rapid Start Lamp Included  
 F = Coated Lamp Included  
 M = Master Color Lamp Included  
 P = Protected Metal Halide  
 Lamp Included  
 W = White Son Hps Lamp Included  
 Q = QL Induction Lamp Included

(K) FUSE OPTION  
 0 = No Fusing  
 1 = (1) 5 Amp Fuse  
 2 = (2) 5 Amp Fuse  
 3 = (1) 10 Amp Fuse  
 4 = (2) 10 Amp Fuse  
 5 = (1) 15 Amp Fuse  
 6 = (2) 15 Amp Fuse  
 7 = (1) 20 Amp Fuse  
 8 = (2) 20 Amp Fuse

(L) REFRACT OR OPTIONS  
 0 = None  
 G = Glare Shield  
 W = Wire Guard

OPTIONS  
 When ordering optional mounting hardware please consult factory for correct catalog number

# SEQUOIA LIGHTING

CORPORATION

MANUFACTURERS OF QUALITY LIGHTING PRODUCTS

13644 George Blvd, Suite 1, Victorville, CA, 92394 (760) 246-5213 FAX (760) 246-5294 www.sequoialighting.com