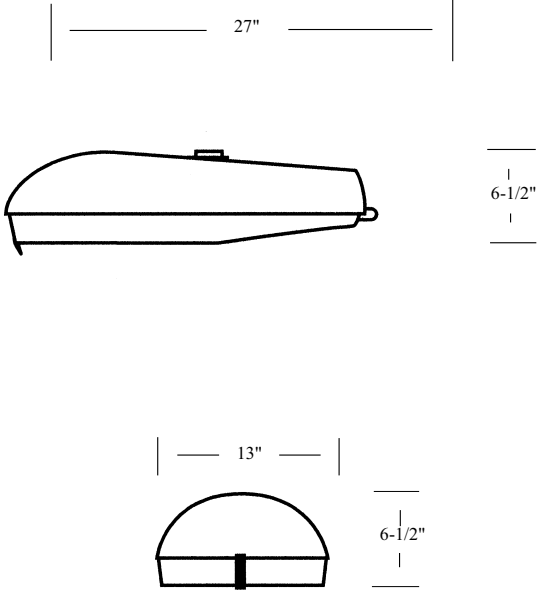


SERIES SL-113 SWING DOOR FLAT LENS  
(AVAILABLE IN SERIES 6.6 AMP)



SPECIFICATIONS

**Luminaire Name:** Cobra Head Flat Lens style luminaire with swing door SL-113

**Description:** One piece screw shell socket provides positive retention and damp under vibration. Die cast trigger latch, polyester gasket protects reflector and lens from contaminants. Die cast copper alloy for light weight strength, polyester powder coat finish for superior corrosion resistance, refractor or cutoff styles.

**Wattage/Lamping:**

- High Pressure Sodium (35 thru 100 watt)
- QL Induction (55, 85 watt)
- Incandescent

**Material:** Die Cast Aluminum

**Refractor:** Acrylic / Polycarbonate UV stabilized / Glass

**Distribution:** Symmetric or Asymmetric

**Voltage:** 120, 208, 240, 277, 480 volt, 6.6 AMP

**Options:** Photo Control / Fusing

**Photometry:** Available upon request on I.E.S. formatted disk

FINISH

**Housing Finish:** Polyester powder finish, electrostatically applied for superior corrosion resistance against the harsh outdoor elements

**Colors:** Gray

\* Custom colors available

APPLICATIONS

- Roadways
- Highways/Freeways
- Residential Streets
- Parking lots/Shopping centers
- Colleges/Universities
- Storage areas

# LUMINAIRE

SEQUOIA LIGHTING SYSTEMS

# AREA

## ORDERING NUMBER LOGIC

Example: LA600 -M1 -6 -0 -3 -0 -GC -BL -0 -0 -0 -0

(A) (B) (C) (D) (E) (F) (G) (H) (I) (J) (K) (L)

(A) DESIGN I.D. Top Right Corner of Cutsheet

(B) BALLAST TYPE

High Pressure Sodium

- 20 = 120V High Power Factor (150W and below)
- 21 = 120V Regulated High Power Factor
- 22 = 120V Normal Power Factor
- 23 = 240V High Power Factor
- 24 = 240V Regulated Power Factor
- 25 = 240V Lag Norma Power Factor
- 26 = 208V Regulated Power Factor
- 27 = 277V Regulated Power Factor
- 28 = 480V Regulated Power Factor
- M1** = Multi-volt Regulated High Power Factor  
Wired 120V
- H6** = 6.6 AMP

Metal Halide

- 30 = 120V CWA High Power Factor
- 31 = 240V CWA High Power Factor
- 32 = 208V High Power Factor
- 33 = 277V CWA High Power Factor
- 34 = Multi-volt CWA High Power Factor  
Wired For 120V
- M6** = 6.6 AMP

Mercury Vapor

- 02 = 120/240 Regulated High Power Factor  
Wire For 120V
- 03 = 240/480 Regulated High Power Factor  
Wire For 240V
- 04 = 208V Regulated High Power Factor
- 05 = 277V Regulated High Power Factor
- 06 = 120V Lag Auto Normal Power Factor
- 07 = Multi-volt Regulated High Power Factor  
Wired For 120V
- V6** = 6.6 AMP

**QL Induction** (Please Specify Kelvin Rating)

- Q1** = 120V
- Q2** = 240V
- Q6** = 6.6 AMP

Incandescent

- IN** = Specify Wattage

(C) LAMP WATT AGE

- 1 = 35 Watts
- 2 = 50 Watts
- 3 = 55 Watts
- 4 = 70 Watts
- 5 = 85 Watts
- 6 = 100 Watts
- 7 = 150 Watts
- 8 = 165 Watts
- 9 = 175 Watts
- 10 = 200 Watts
- 11 = 250 Watts
- 12 = 310 Watts
- 13 = 400 Watts
- 00 = 1000 Watts
- 15 = 1500 Watts

(D) PHOT OCONTROL

- 0 = Without Photo Control
- 1 = With Photo Control

(E) IES LIGHT DISTRIBUTION

- 2 = Type II
- 3 = Type III
- 5 = Type V

(F) REFRACT OR TYPE (Cobraheads)

- O = Cutoff (Flat Lens)
- D = Drop Lens

(G) REFRACT OR MA TERIAL

- GC** = Glass Clear
- GW** = Glass White
- PC** = Polycarbonate Clear
- PW** = Polycarbonate White (Translucent)
- AC** = Acrylic Clear
- AW** = Acrylic White
- SM** = Smoked

(H) PAINT

- 00** = None
- BL** = Black
- BR** = Bronze
- VR** = Verde
- GR** = Green
- GY** = Gray
- WT** = White
- RD** = Red
- BU** = Blue
- CC** = Custom (Per Specification)

(I) REMOTE BALLAST (ENCAP .)

- A = None
- B = Yes

(J) LAMP OPTION

- 0 = No Lamp Included
- C = Clear Lamp Included
- R = Rapid Start Lamp Included
- F = Coated Lamp Included
- M = Master Color Lamp Included
- P = Protected Metal Halide  
Lamp Included
- W = White Son Hps Lamp Included
- Q = QL Induction Lamp Included

(K) FUSE OPTION

- 0 = No Fusing
- 1 = (1) 5 Amp Fuse
- 2 = (2) 5 Amp Fuse
- 3 = (1) 10 Amp Fuse
- 4 = (2) 10 Amp Fuse
- 5 = (1) 15 Amp Fuse
- 6 = (2) 15 Amp Fuse
- 7 = (1) 20 Amp Fuse
- 8 = (2) 20 Amp Fuse

(L) REFRACT OR OPTIONS

- 0 = None
- G = Glare Shield
- W = Wire Guard

OPTIONS

When ordering optional mounting hardware please consult factory for correct catalog number

# SEQUOIA LIGHTING

CORPORATION

MANUFACTURERS OF QUALITY LIGHTING PRODUCTS

13644 George Blvd, Suite 1, Victorville, CA, 92394 (760) 246-5213 FAX (760) 246-5294 www.sequoialighting.com

Revision